



Brand : WDI, China
 Name : S Bend connector
 Item Code : B8080 ASV1

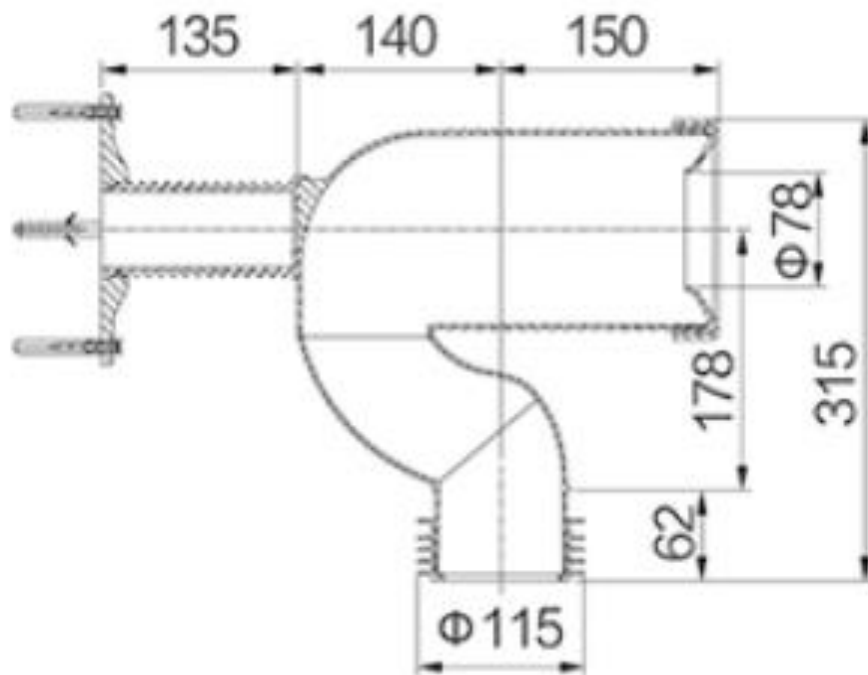
Designer :

Color / Finish: N/A

Dimensions : (See data drawing below for dimensions)

Product info:

- S bend connector
- With wall fixation
- For shifting the toilet outlet. Back to the ground
- Discharge bend D90 – D110



Flushing of pipe must be done before fittings are installed. Failure to do so voids the warranty.

Follow cleaning instructions and avoid using any harmful chemicals.

All information is for reference only. Installation shall always be based on the specs provided with actual delivered items.

For more info, visit www.sanitecph.com